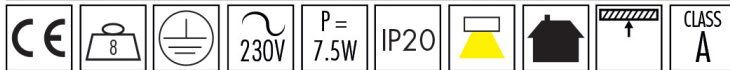
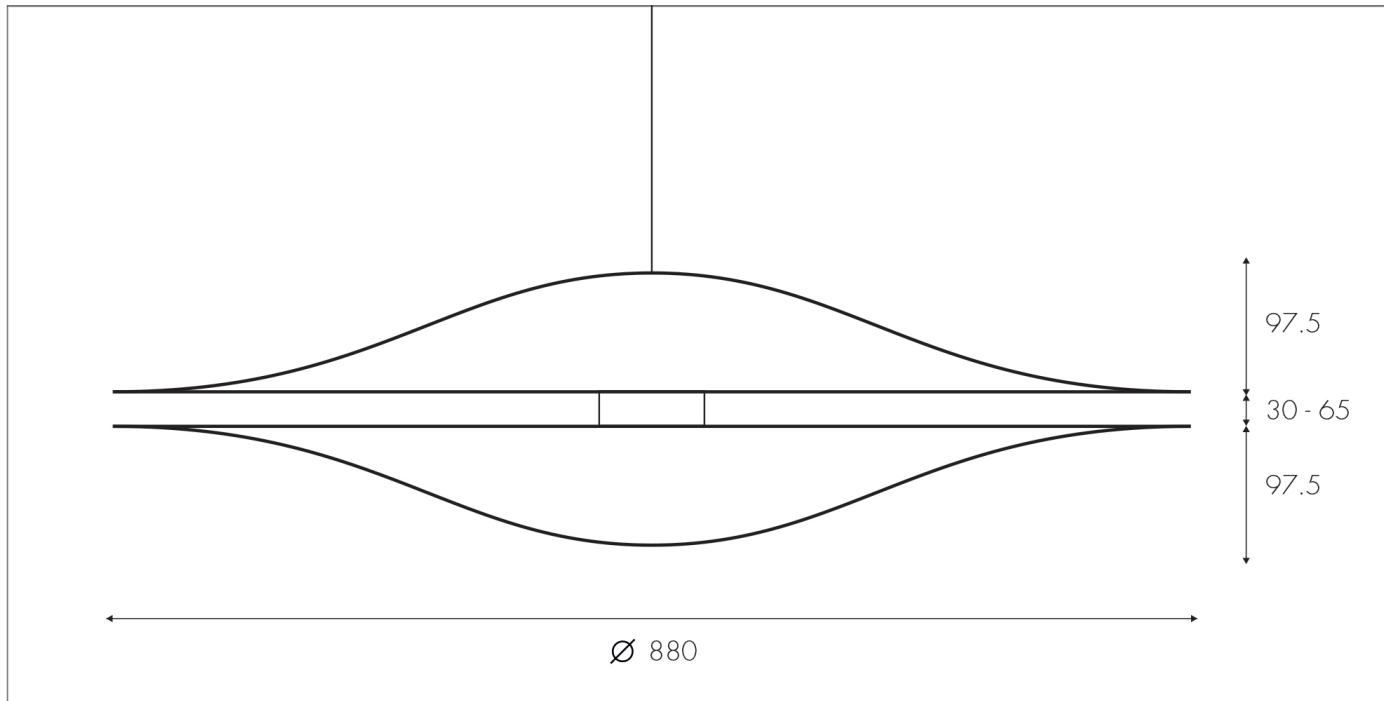


# SKYBEAMER 88

design by Mai Waelkens



## SK88P-LH-(COLOUR)

YEAR OF DESIGN 2014

MATERIAL Polystyreen & metal

PRODUCT CODE SR88P-LH-(colour)


TYPE Pendant Light

COLOUR  White glossy (001)

 Black glossy (002)

 Gold (004)

 White/Gold (002-G)

 Black/Gold (002-G)

 RAL On request



LED (OSRAM 827)

CRI > 80

2700 K

4.3 W



Cable Length 2 m



Ceiling rose

DIAMETER 90 mm

COLOR White

MATERIAL Metal